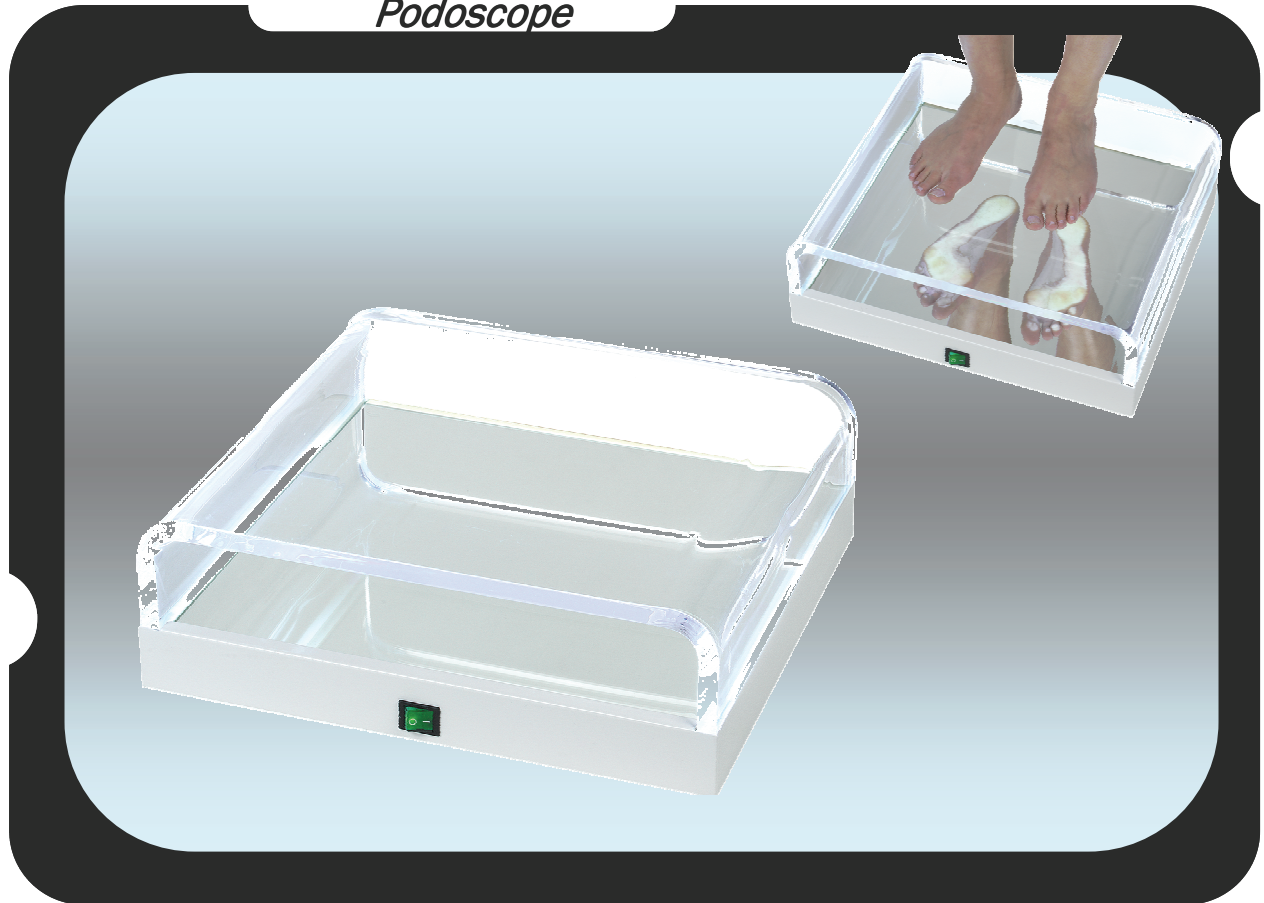


*Podoscope*

# PODO'LINE

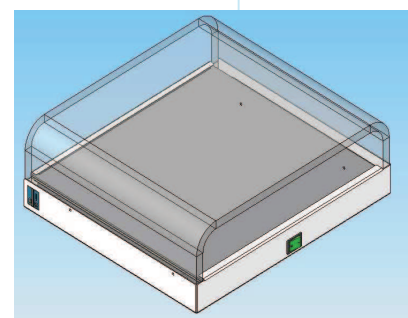
Thanks to a tangential fluorescent lighting and a modern design, the Podo'line podoscope combines technical efficiency and aestheticism, assuring ideal examination conditions for chiropody practitioners.



### TECHNICAL CHARACTERISTICS

The Podo'line has been specially designed for clinical examination of the soles of the feet when bearing weight, with the weight on both feet. A special arch made of transparent acrylic uses fibre-optic process to guide the light. This method eliminates all the perturbations of unwanted reflections during the examination and highlights the mains load-bearing areas by varying chromatic intensity, thus characterizing the different levels of ischemia of the skin.

- Box frame made of 15/10° sheet steel covered with white epoxy paint
- Transparent cast-acrylic arch 15mm thick
- Minimal height for an easy access : 15,5 cm
- Light source : 2 fluorescent tubes
- Lighting control : bipolar switch with built in indicator light
- Power cord : standard, 2 poles + earth
- Power supply : 230V, 50Hz (for other voltages, consult us)
- Maximum load : 150 kg



### PODO'LINE

Reference	Viewing area (cm)	Overall measurements (cm)			Net weight (kg)	Number of tubes
		Lenght	Height	Depth		
P4	36 x 40	45,5	15,5	40,5	11	2 x 8 W

### PACKAGING

Ref.	Dimensions	Volume	Weight
P4	54 x 60 x 20 cm	0,065 m <sup>3</sup>	13 kg

Made in France



Medical diagnosis device (class I).  
EC marking authorized in accordance  
with European Directive 93/42/EEC  
and EMC 89/336/EEC.

