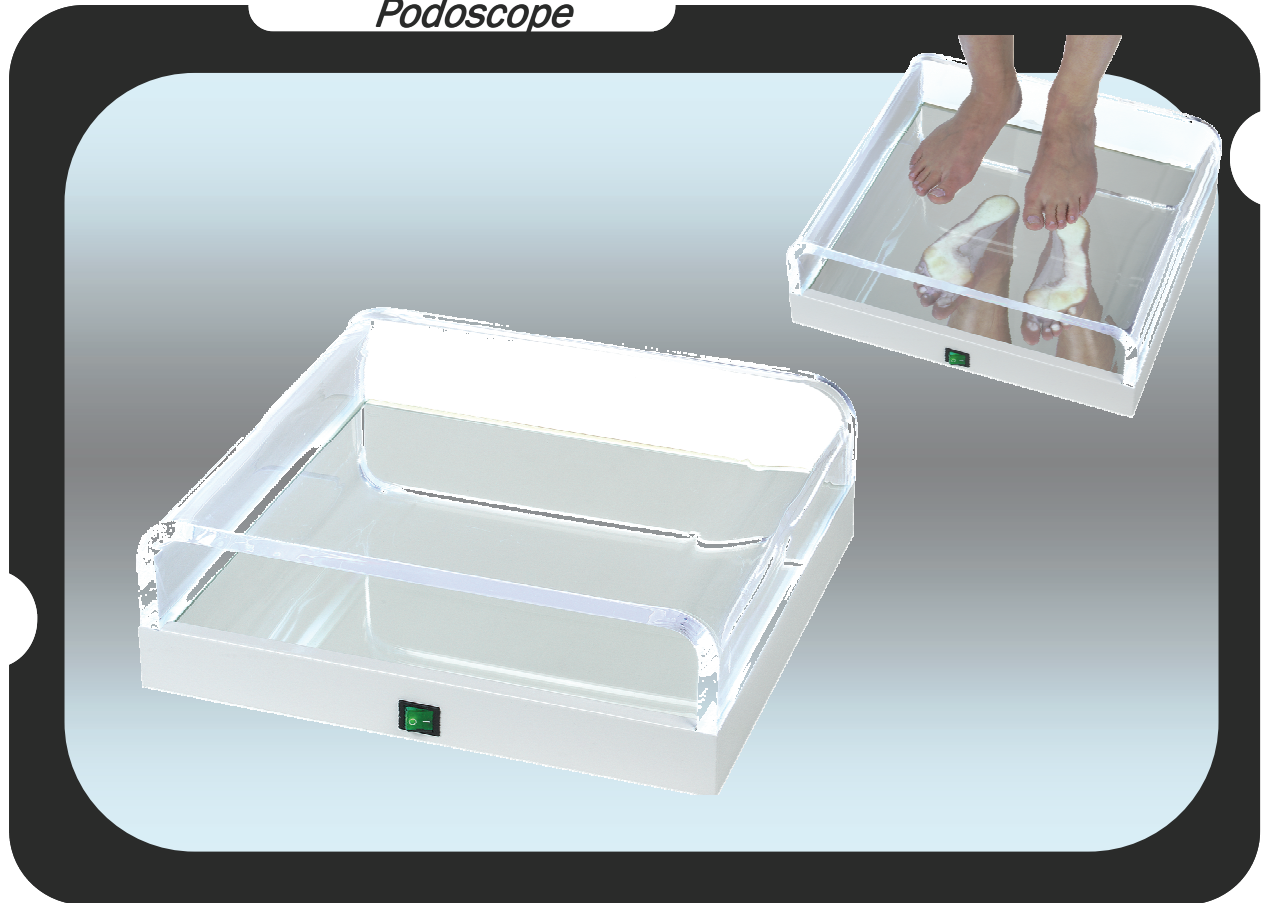


Podoscope

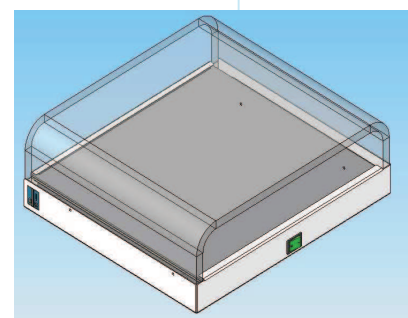
PODO'LINE

Thanks to a tangential LED lighting and a modern design, the Podo'line podoscope combines technical efficiency and aestheticism, assuring ideal examination conditions for chiropody practitioners.

TECHNICAL CHARACTERISTICS

The Podo'line has been specially designed for clinical examination of the soles of the feet when bearing weight, with the weight on both feet. A special arch made of transparent acrylic uses fibre-optic process to guide the light. This method eliminates all the perturbations of unwanted reflections during the examination and highlights the mains load-bearing areas by varying chromatic intensity, thus characterizing the different levels of ischemia of the skin.

- Box frame made of 15/10° sheet steel covered with white epoxy paint
- Transparent cast-acrylic arch 15mm thick
- Minimal height for an easy access : 15,5 cm
- Light source : 2 LEDs strips
- Lighting control : bipolar switch with built in indicator light
- Power cord : standard, 2 poles + earth
- Power supply : 230V, 50Hz (for other voltages, consult us)
- Maximum load : 150 kg



PODO'LINE

Reference	Viewing area (cm)	Overall measurements (cm)			Net weight (kg)
		Lenght	Height	Depth	
P4	36 x 40	45,5	15,5	40,5	10

PACKAGING

Ref.	Dimensions	Volume	Weight
P4	54 x 60 x 20 cm	0,065 m ³	11 kg

